



Maxibit Satellite, Pop-up System



Stand Tall! Stand Proud!

Throughout the ages the pillar has been the ultimate symbol of power and strength, and Maxibit's Satellite is no different. With this impressive pillar you too can feel confident that your brand will stand tall and proud, elevated above the masses. Satellite's construction is as clean as it is fast, and its entire frame has been engineered, both in composition and design, to be extremely strong and extremely lightweight.



A pillared pop-up

Like its bigger brother Network, Satellite is a Pop-up system constructed from a number of scissor sections that, when locked in place, will never move. Magnetised graphic panels snap into place fast and firm, while the top graphic panel clips make it easy to mount the tallest and most imposing Satellite. What's more, the Satellite system has the ability to display your message in a compact 360 degree brilliance, making it the perfect system for open arenas and densely crowded areas.



More than impressive pillars!

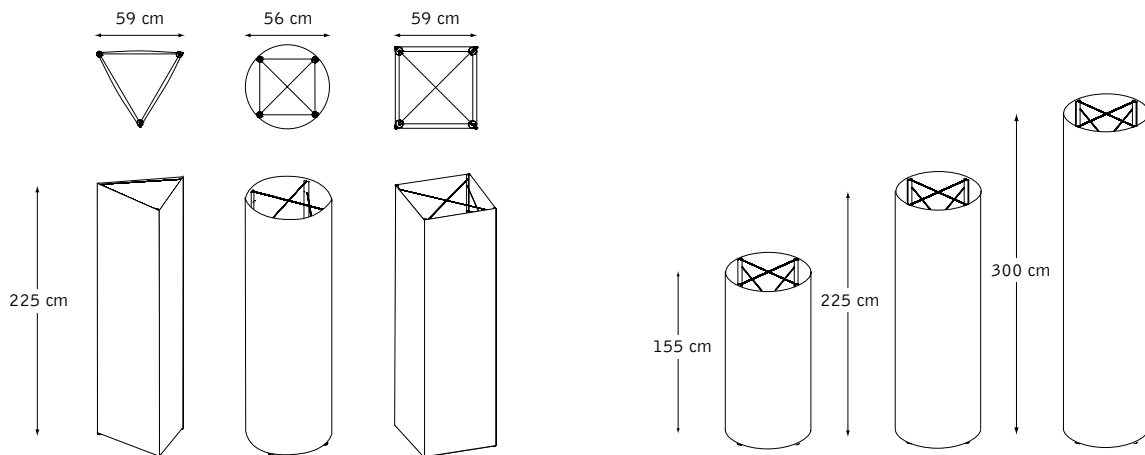
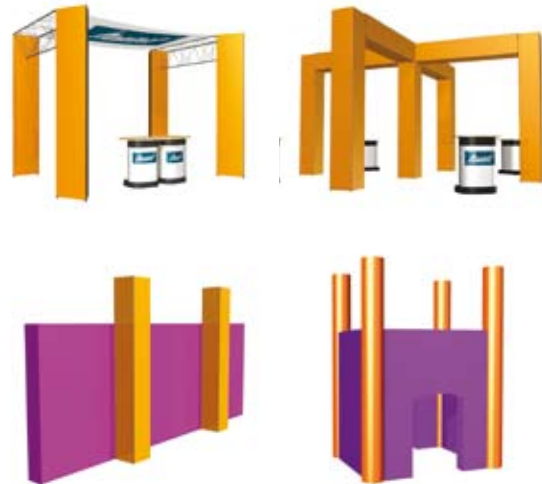
Not only tall and proud, Satellite is also an extremely versatile marketing tool. With some creative flare and a little imagination you can create impressive trade fair displays and presentation areas that not only look great but also attract customers. As the satellite is a stackable system, you can add or subtract parts to make the system taller or shorter depending on your precise needs. Satellite can also work just as impressively hung from the ceiling or connected together for grand arched walkways everyone will enjoy. Furthermore, the fact that Satellite is a pop-up system means that it is easily integrated with Network. With both Satellite and Network you can connect and integrate, combine and orchestrate fantastic displays that people will remember. None will believe that such a construction is either possible or portable!





Why choose Satellite?

- Stackable modules create different heights
- Use vertical or horizontal. Be creative!
- Connect any number of Network and Satellite
- Standard height and design makes Satellite compatible with all Maxibit products
- Modules lock together and adjustable feet add stability
- Three different shapes; round, square and triangular
- Shows your message in 360 degrees
- Transported in a shoulder bag
- Quick and easy set-up



Specification:	Maxibit Satellite
Versions:	Round, Triangle, Square, customer height.
Construction:	Pop-up design in sections. Aluminum alloy. No tools required. Carrying bag for Satellite and graphics included.
Graphics:	Laminated paper or digital transparencies, matte or glossy.
Graphic size:	Round: height of 3 sections – 2 panels 88x223.5 cm. Triangle: height of 3 sections – 3 panels 58.7x223.5 cm. Square: height of 3 sections – 4 panels 58.7x223.5 cm.
Depth:	Round: 56 cm, Triangle: 59 cm, Square: 59 cm.
Height:	3 sections: 225 cm. The number of sections is optional. Each section is about 75 cm.
Weight:	3 sections: 10 kg incl. graphics, lights and bag.

